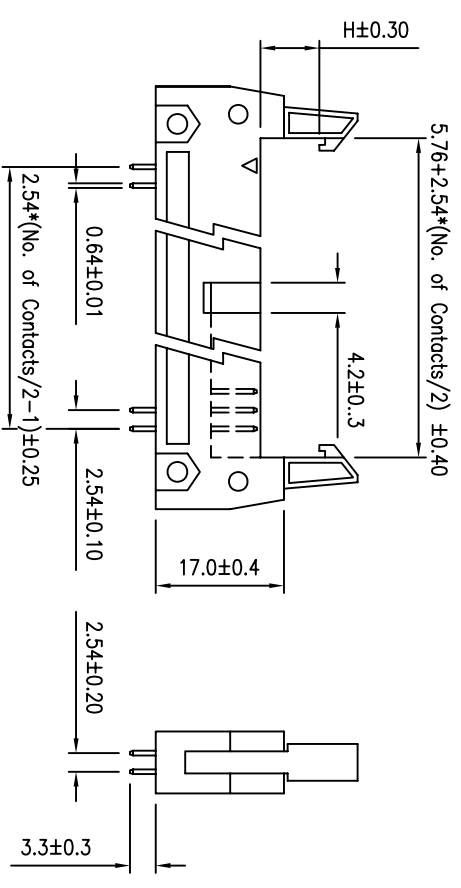
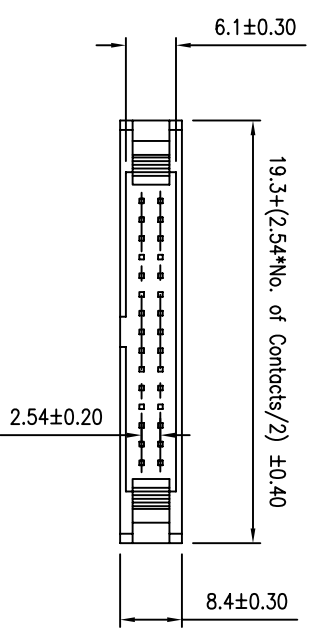
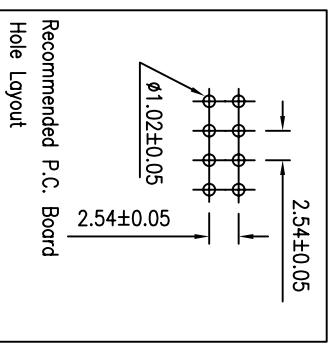


REV	ECON NO.	APP.	DATE
A	NEW DESIGN		



Style

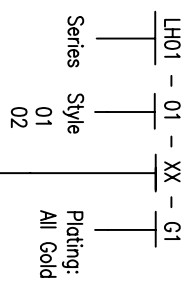
Style	H
01	7.80
02	4.30



SPECIFICATION

- \* Current Rating: 3 A
- \* Withstanding Voltage: 500 VAC ( 1 min. )
- \* Insulation Resistance: 1000 Megohms min.
- \* Contact Resistance: 30 Milliohms max.
- \* Operating Temperature: -40°C to +85°C
- \* Retention Force: 1 kg MIN.

ORDER INFORMATION



No. of pos	010	030
	012	034
	014	040
	016	050
	020	060
	026	064

MATERIAL

- \* Contact: Brass , 0.64mm Square post
- \* Insulator: PBT & 30% G.F.
- \* Plating: Gold

SHINHWHA TECH CO.,LTD

0.0±	SCALE:	TITLE:	PART NO:
0.00±	UNIT: MM	2.54X2.54MM (.100"*.100")	APP BY:
0.000±		P.C.B HEADER With Latches	CHK BY:
		MATL: PBT + 30% GF	DR BY:
		DWG. NO. LH01	